

SMART Access Control

S
e
r
i
e
s



Integrated System

- *Event Server*
- *Door Controller*
- *Management Software*
- *Contactless Reader*
- *Card supply & Printing Services*

MaCaPS

International Limited

(an associate company of CityU Enterprises Co. Ltd.)

SMART Access Control Hardware

ES1 is an Ethernet(TCP/IP) ready embedded Event Server designed for a series of Access Control System.

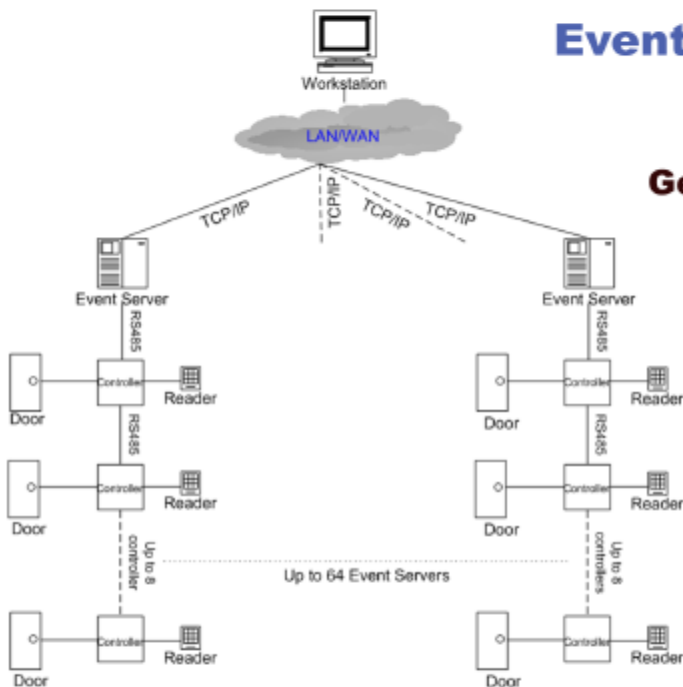
This unit can handle a large capacity of cardholders and transactions. The Ethernet feature allows the system to be used in a local (standalone) or a web-based (clustered) control and monitor mode



Event Server

General Features:

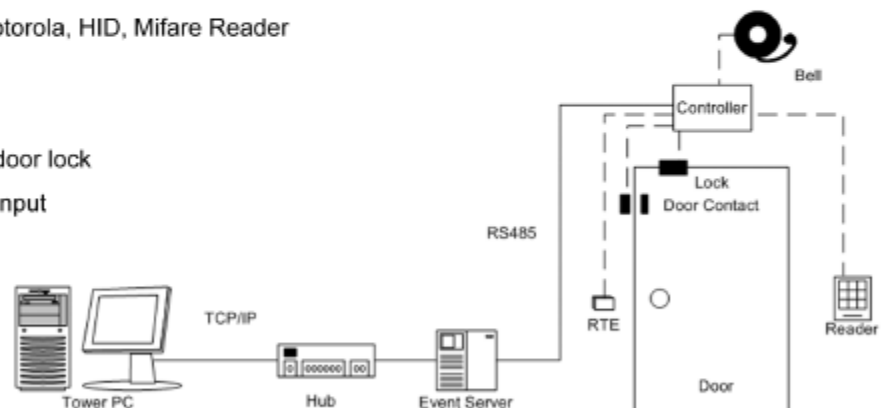
- ■ Direct Ethernet connection with a unique IP address
- ■ Communication and power status LED's
- ■ Card only or Card + PIN operation
- ■ Support up to 28,000 card holders and transactions in offline mode
- ■ Support up to 128 time zone setting
- ■ Support 8 doors controller for each event server
- ■ Up to 64 event server supported
- ■ Easy installation
- ■ 10 year Card Holder data backup after power loss
- ■ Communications auto-sense



Door Controller

General Features:

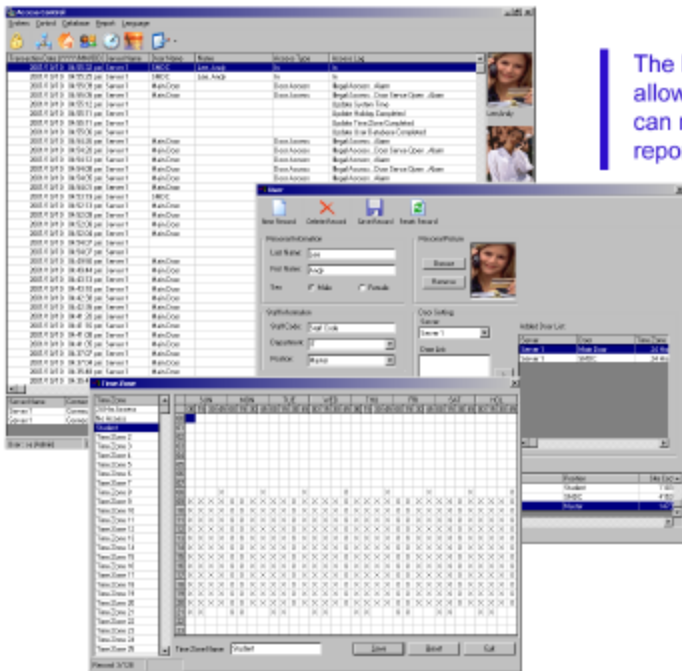
- ■ Support Proximity, Motorola, HID, Mifare Reader
- ■ Support 3 x 4 keypad
- ■ Door sensor input
- ■ Output for electronic door lock
- ■ Door release button input
- ■ Alarm output



SMART Access Control Software

Management Software

The Management Software provides a simple graphic user interface allowing system configuration, door control and card management. It can monitor the system status and provide a basic time attendance reporting. It also supports customised feature if specified.



Features:

- ■ Real time transaction
- ■ Real time photo image display
- ■ Door release button input
- ■ Door status and monitoring
- ■ 128 Time zone setting
- ■ Holiday setting
- ■ Event report, User report, Door report
- ■ Late arrival report
- ■ Monthly report
- ■ First in last out report
- ■ Absence report

Other Applications

We also provide the following systems:

- Time Attendance System
- Car Park Control System
- Facility Booking System
- Online Booking System
- Payment System
- Human Resource Management System
- Payroll System

Smart Card



SMART Access Control Hardware

Smart Card Reader

Contactless Technology

MMR-5R utilizes MIFARE technology to read contactless smartcards which can be applied across a wide range of industries.

Benefit

- ■ Easily integrated with most access control systems.
- ■ Wiegand or RS232 output available.
- ■ Provide color LEDs indicator and system controlled built-in buzzer.
- ■ Build transmitting / receiving antenna and electronics in one-piece.
- ■ Up to 45mm card read/write operation range.
- ■ Easily installed on wall and doors.



Contactless Smart Card

Specification

- ■ Operating Frequency : 13.56MHz
- ■ Baud rate : 106KBd
- ■ Operating distance : up to 10 cm
- ■ EEPROM Memory size : 8K bit
- ■ Independent sectors : 16
- ■ Arithmetic capability : increase/decrease
- ■ Multifunctionality : YES
- ■ Unique Serial Number : YES
- ■ Anticollision : YES

To meet the customer need we also provide the customized Card Printing Services.

MaCaPS MaCaPS International Limited

c/o IBDO, City University of Hong Kong, 83 Tat Chee Avenue, Kowloon, HK
Tel : (852) 2784 4298 Fax : (852) 2784 4167
Web Site: <http://www.macaps.com.hk>